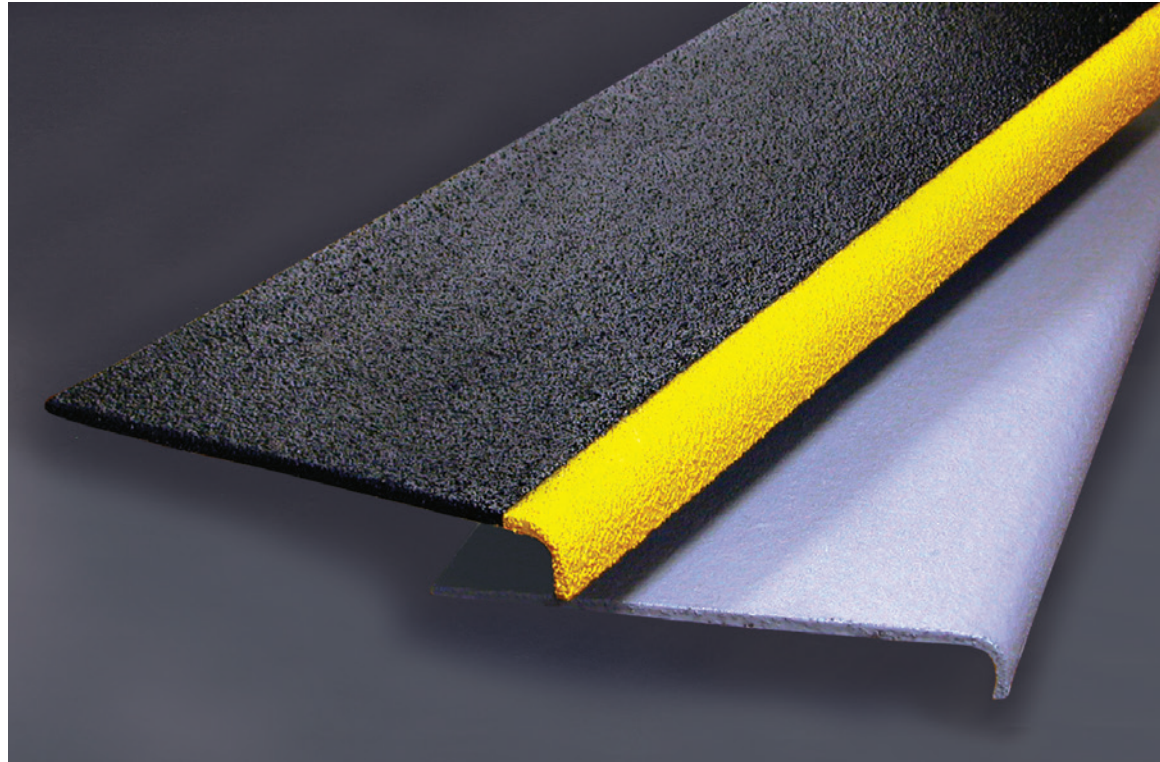


DURATREAD™ **FIBERGLASS STAIR TREAD COVERS**



- **Slip Resistant**
- **Durable**
- **Impact Resistant**
- **Low in Maintenance**
- **Easy to Cut/Install**
- **Corrosion Resistant**
- **Lightweight**
- **Nonconductive**

DURATREAD™ molded fiberglass stair tread covers provide an easy, cost-effective way to increase the safety of stairways. The covers are intended for installation over concrete, metal or wood steps. Fiberglass stair treads may also be covered with DURATREAD™.

DURATREAD™ stair tread covers are ideal for use in any area where frequent use or exposure to slippery environments increases the risk of accidents. The ADA compliant covers feature a durable gritted surface and a highly visible nosing to ensure years of safe, maintenance-free service. DURATREAD™ covers also improve the appearance of warped, chipped, and rotten steps and are perfect for use in commercial building applications where it is important to maintain an attractive appearance.

Typical applications include:

- Amusement/Water Parks
- Hotels/Motels
- Outdoor Stairways
- Outdoor Sports Facilities
- Restaurants
- Food Processing Facilities
- Chemical Processing Plants
- Water/Wastewater Treatment Facilities
- Offshore Oil and Gas Platforms

Materials of Construction

DURATREAD™ molded fiberglass stair tread covers are manufactured using high strength fiberglass mat in combination with a choice of resin systems. The top surface is coated with an aluminum oxide grit to provide a slip resistant, durable tread.

DURATREAD™ covers are available in a variety of resin systems designed to suit different applications and environments.

Installation

1. DURATREAD™ covers should be installed on a clean, level surface. Use grout or other suitable material to level uneven surfaces prior to installation.
2. Sand the bottom surface of the stair tread cover if bonding tread covers to stairs. Two-part epoxy is recommended.
3. Use wood screws to thru-bolt covers to wood stairs. Use expansion anchors, sleeve anchors or concrete screws to fasten covers to concrete stairs. If fastening covers to steel or fiberglass stair treads, use a plate washer with a truss head bolt and nut. All fasteners should be 316 stainless steel.
4. When installing DURATREAD™ covers over grating treads, field drill holes so that fasteners will not interfere with grating bars.

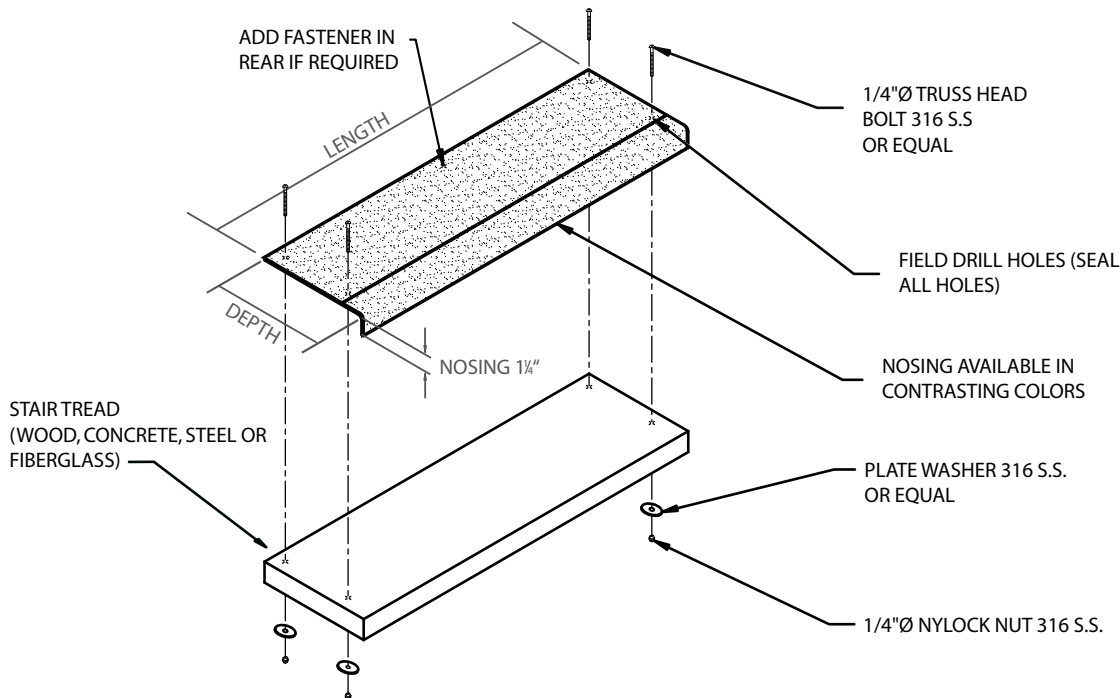
Availability

DURATREAD™ covers are available in thicknesses of 1/8" and 1/4". Standard depths are 8", 9", 10", 11" and 12". All stair tread covers are available in 12' lengths. Other lengths and depths are available upon request.

The standard color for DURATREAD™ covers is dark gray with a bright yellow nosing for increased visibility. One-color covers and other color combinations are available upon request.

Standard Resin Systems Available

Resin Code	Description	Resin Base	Corrosion Resistance
VE	Chemical Proof Fire Retardant	Vinyl Ester	Excellent
PP	Industrial Grade Fire Retardant	Isophthalic	Very Good
GP	Architectural Grade Fire Retardant	Orthophthalic	Good
FF	Food Grade Fire Retardant	Isophthalic	Very Good



ISO-9001 Certified Manufacturing Plants

BRISTOL LOCATION
 400 Commonwealth Ave., P.O. Box 580
 Bristol, VA 24203-0580 USA
 (276)645-8000

CHATFIELD LOCATION
 1610 Highway 52 South
 Chatfield, MN 55923-9799 USA
 (507)867-3479

www.strongwell.com

ST1116
 © 2016 Strongwell