

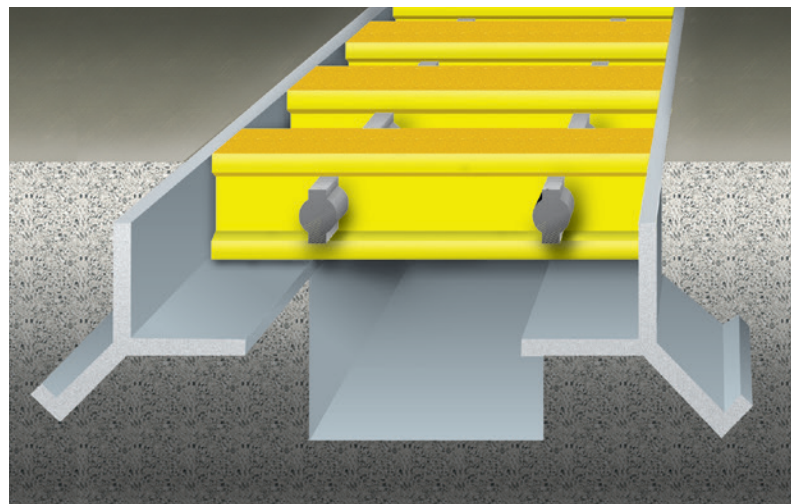
# CURB ANGLE

**FOR USE WITH DURAGRATE<sup>®</sup>, DURADEK<sup>®</sup>, AND DURAGRID<sup>®</sup> GRATING; CUSTOM DECKING; AND COVER PROFILES**

- » Corrosion Resistant
- » Low Conductivity
- » High Strength
- » Fire Retardant
- » Easy to Install

Strongwell's fiberglass curb angle has a built-in, continuous angle that locks into concrete, eliminating the need for individual anchors.

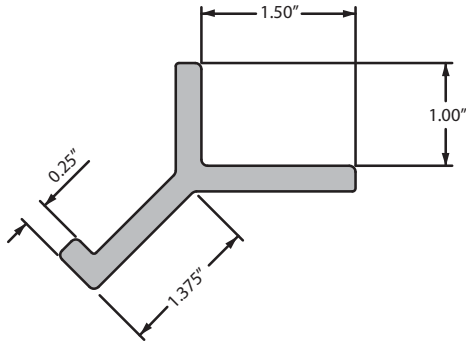
Fiberglass curb angle is manufactured using fire retardant vinyl ester resin with a surfacing veil. Standard color is gray (1", 1-1/2", 2") or slate gray (4"). Strongwell's fiberglass curb angle offers superior strength, stiffness, wear protection, and long-term corrosion resistance.



# AVAILABILITY

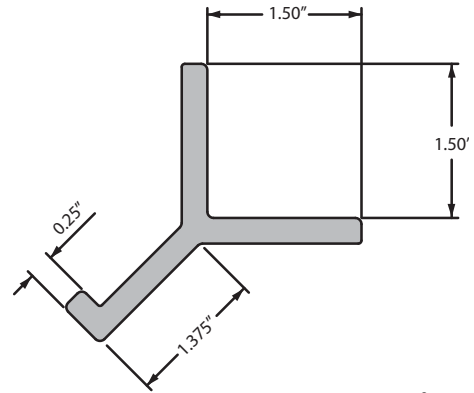
Fiberglass curb angle is available in four standard sizes. Other sizes can be custom manufactured upon request. Contact Strongwell or ask your local distributor about availability.

## 1" Curb Angle



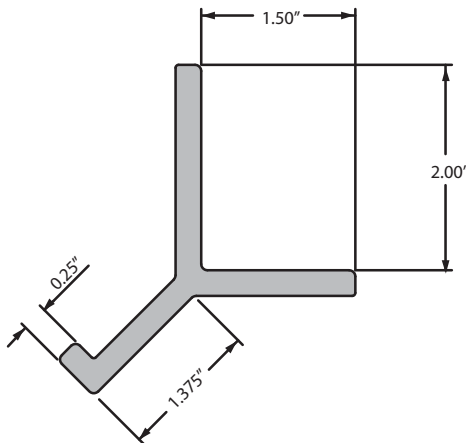
**Area:** 1.06 in<sup>2</sup>  
**Weight:** 0.88 lbs./ft.

## 1-1/2" Curb Angle



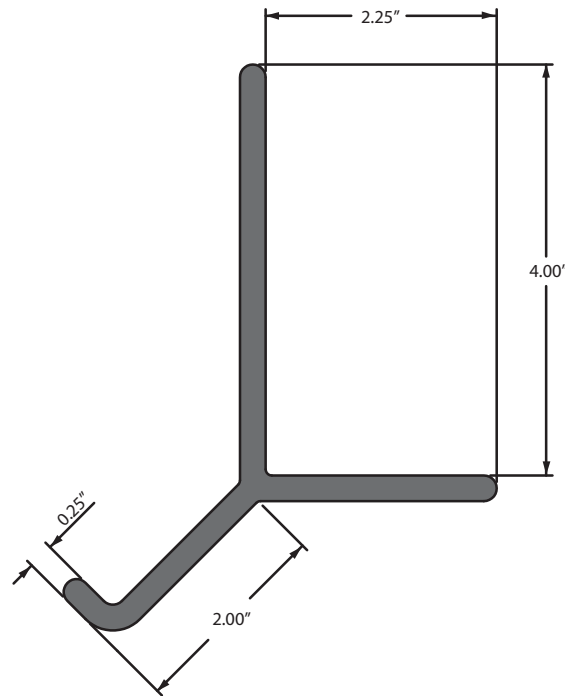
**Area:** 1.19 in<sup>2</sup>  
**Weight:** 0.98 lbs./ft.

## 2" Curb Angle



**Area:** 1.31 in<sup>2</sup>  
**Weight:** 1.09 lbs./ft.

## 4" Curb Angle



**Area:** 2.13 in<sup>2</sup>  
**Weight:** 1.82 lbs./ft.



ISO 9001 Quality Certified Manufacturing Plants



**BRISTOL LOCATION**  
400 Commonwealth Ave.  
Bristol, VA 24201 USA  
(276)645-8000

**CHATFIELD LOCATION**  
1610 Highway 52 South  
Chatfield, MN 55923 USA  
(507)867-3479

[www.strongwell.com](http://www.strongwell.com)

ST1220  
© 2020 Strongwell